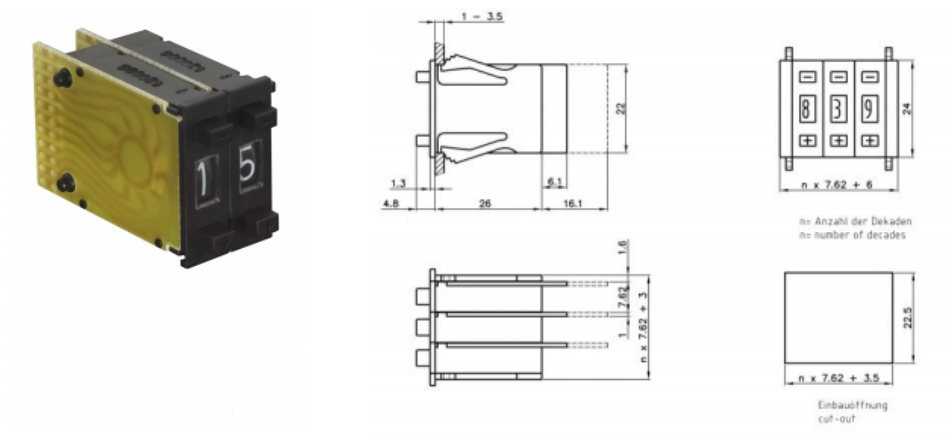


Dual Push Button Switches

SMC-D 131 AK LS 2

Dual push button switch



Mechanical Data

Width	7.62mm
Perm. ambient temperature	-20...+80°C
Mech. lifetime	1 000 000 steps
Operating force	approx. 4N
Weight	approx. 4g
Digit height 10-digit	4.9mm
Digit height 16-digit	3.4mm
Click action	marked
Sinus-vibration testing	acc. EN 60068-2-6
Shock testing	acc. EN 60068-2-27

- contacts with abrasion resistant hard gold plating
- 100% electronic final inspection and testing

Electrical Data

Operating voltage	$\leq 40V$
Contact load, dynamic (resistive)	$\leq 100mA$
Contact load, static	$\leq 1A$
Contact resistance for PCB AK (measured from supply line to output)	$< 100m\Omega$

Material

Housing	PPO
Contact surface	Au over Ni on Cu
Sliding contact	Au over Ni on CuSn6

Configuration

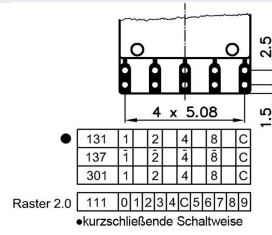
Codes

Code 131

BCD					
	C	1	2	4	8
0	●				
1	●	●			
2	●		●		
3	●	●	●		
4	●			●	
5	●	●		●	
6	●		●	●	
7	●	●	●	●	
8	●				●
9	●	●			●

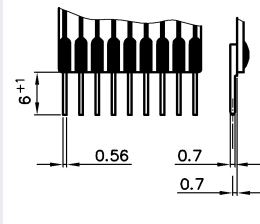
BCD, 10

PCB



Short

Suffix



Solder pins for PCB

Colour

housing black, drum black, digits white